



Separate Drive Rotary Vane

25 cfm at 1060 rpm, 31 cfm at 1325 rpm, 40 cfm at 1725 rpm

Lubricated or Oilless 3040 Series



Lubricated Vacuum Pump



Oilless Compressor

MODEL 3040 SERIES

20" HG MAX. VAC.

10 PSI MAX. PRESSURE

31 CFM OPEN FLOW (OILLESS)

40 CFM OPEN FLOW (LUBRICATED)

PRODUCT FEATURES

- Lubricated or oilless operation
- Pulley driven (multiple speeds available)
- Rugged construction/low maintenance
- Essentially pulse-free service

INCLUDES

- Filter AA900D (Oilless), AB650C (Lubricated) – Vacuum Pumps
- Filter AD750 – Compressors
- Muffler AA900F (Oilless), AA900E (Lubricated) – Vacuum Pumps
- Oil reservoir AA960A (Lubricated)
- Vacuum-actuated lubricator V40C (Lubricated)
- Pressure lubricator AD730
- 6.5" P.D. pulley AC374B
- Fan AD236 – Vacuum Pumps and Oilless Compressor

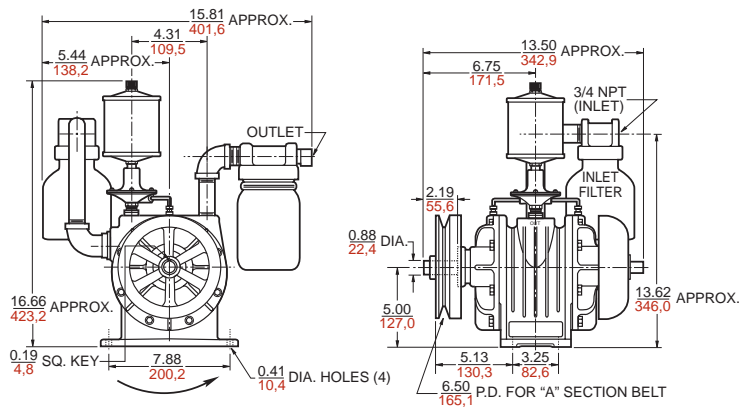
RECOMMENDED ACCESSORIES

- Base AB898A – Vacuum Pumps
- Base AB898B – Compressors
- Belt guard AB331A
- Vacuum relief valve AA308
- Pressure relief valve AA307
- Vacuum gauge AA640
- Pressure gauge AA644B
- Oil AD220 (Lubricated)
- Check valve AH326A – Vacuum Pumps
- Repair kit K233A (Oilless), K232A (Lubricated)

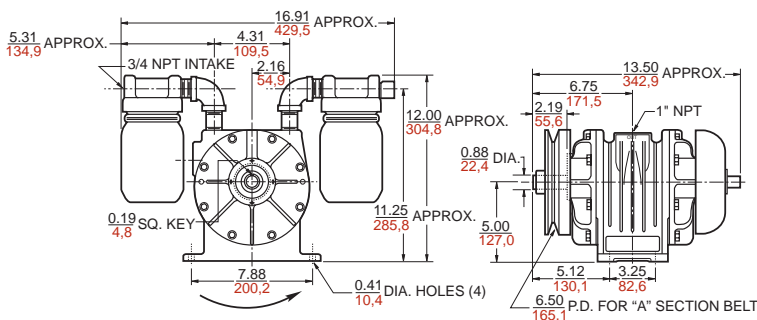
Product Dimensions (mm, inches)

Dimensions are for reference only.

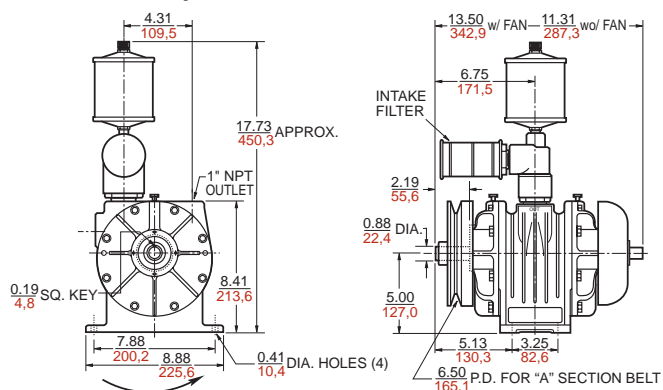
Lubricated Vacuum Pump



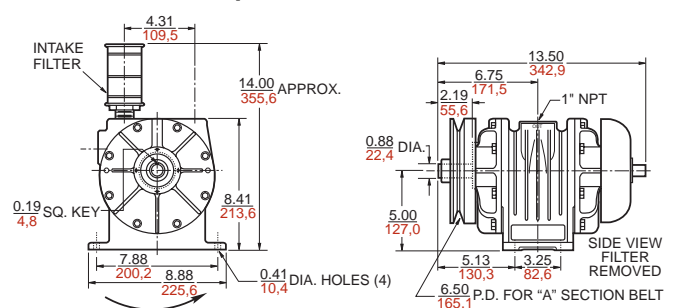
Oilless Vacuum Pump



Lubricated Compressor



Oilless Compressor



Product Specifications



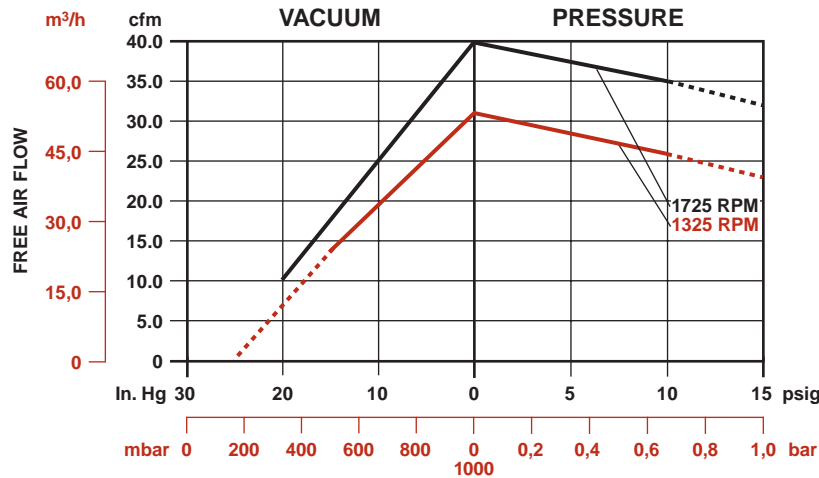
Note: "P" models are pressure, "V" models are vacuum.

Model Number	Motor	Base	Belt Guard	RPM	HP	kW	Net Wt.	
							lbs.	kg
LUBRICATED								
3040-P17A	—			1325	2	1,5	65	29,3
3040-P32B	—			1725	5	3,7	67	30,2
3040-P34D-T339	230/460-60-3	•	•	1725	5	3,7	147	66,2
3040-V20B	—			1325	1½	1,1	69	31,1
3040-V29B	—			1725	2	1,5	71	32,0
3040-V30E	—	•	•	1725	2	1,5	100	45,0
3040-V31F-T337	230/460-60-3	•	•	1725	2	1,5	139	62,6
3040-V29B-SD150-1*	415-50-3	•	•	1725	2	1,5	139	62,6
OILLESS								
3040-P118B	—			1060	1½	1,1	64	28,8
3040-P119F	—	•	•	1060	1½	1,1	94	42,3
3040-P120F-T336	230/460-60-3	•	•	1060	1½	1,1	126	56,7
3040-P118C	—			1325	3	2,2	68	30,6
3040-P119G	—	•	•	1325	3	2,2	98	44,1
3040-P120G-T338	230/460-60-3	•	•	1325	3	2,2	130	58,5
3040-P118B-SD110-1*	220/240-380/ 415-50-3 TEFC	•	•	1060	1½	1,1	130	58,5
3040-V115A	—			1325	2	1,5	70	31,5
3040-V116E	—	•	•	1060	1½	1,1	100	45,0
3040-V117E-T336	230/460-60-3	•	•	1060	1½	1,1	145	65,3
3040-V116F	—	•	•	1325	2	1,5	100	45,0
3040-V117F-T337	230/460-60-3	•	•	1325	2	1,5	148	66,6
3040-V115A-SD110-1*	220/240-380/ 415-50-3 IP54	•	•	1060	1½	1,1	145	65,3
3040-V115A-SD150-1*	415-50-3	•	•	1325	2	1,5	148	66,6

*Available only in Europe.

Product Performance (Metric, U.S.)

Lubricated



Oilless

